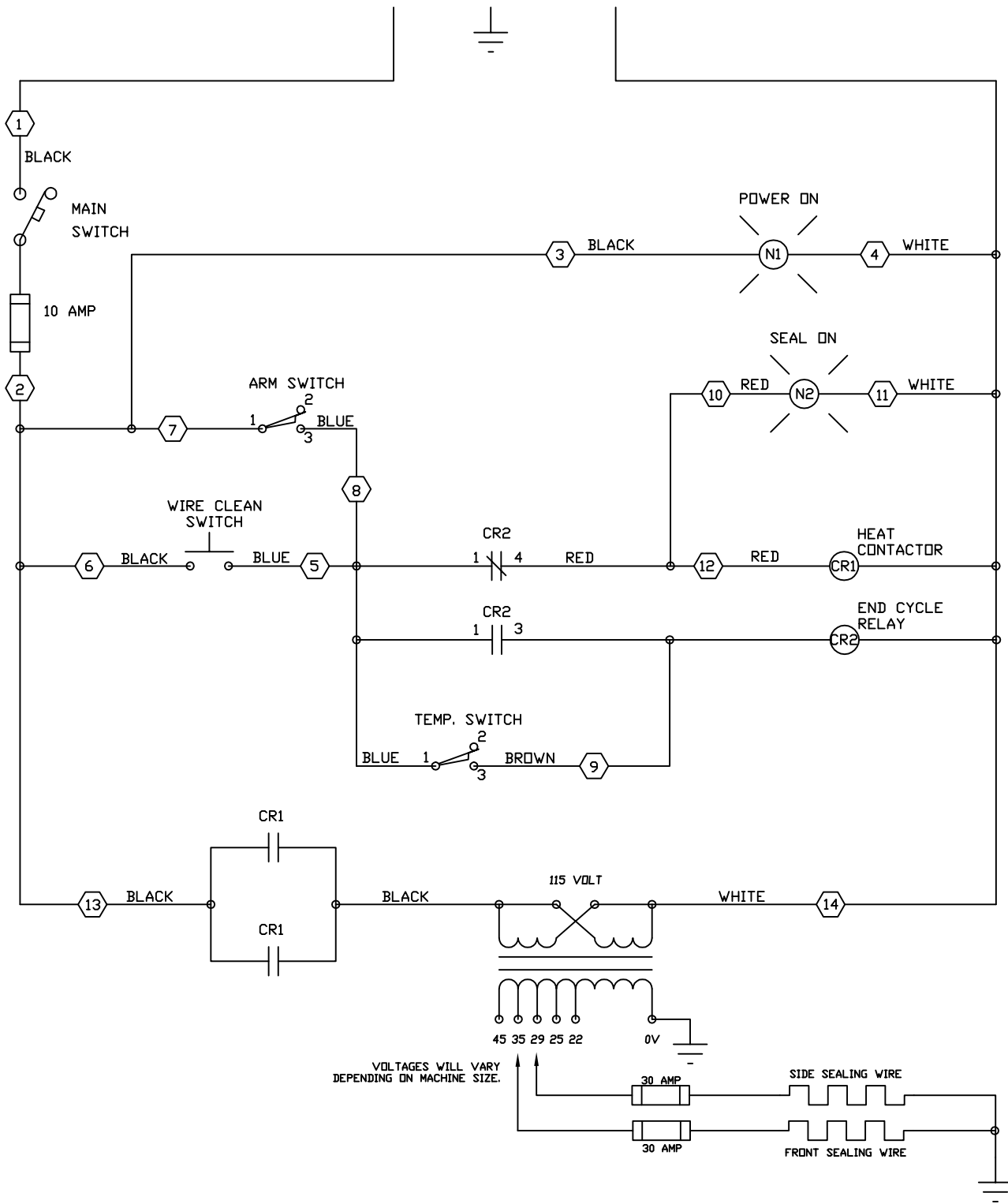


115 VOLT  
10 AMP SUPPLY



VOLTAGES WILL VARY  
DEPENDING ON MACHINE SIZE.

<i>RBS EQUIPMENT DESIGNS LIMITED</i>		
<i>Title:</i> ELECTRICAL DIAGRAM	<i>Used on :</i> LBS	<i>Date:</i> NOV. 17/92
<i>Drawn by:</i> C. SENIOR	<i>Material :</i>	<i>SCALE</i>
<i>checked by</i>	<i>Tolerances; unless stated</i> Fractional $\pm 1/64$ Decimal $\pm .005$	<i>Drawing No.</i> LBSELEC